

# TECHNICAL DATA SHEET

Bespoke Manufacture

## GIRDERLINE IN-LINE FEATURE CHANNEL

JWD Rainwater and Architectural Aluminium Systems Ltd: Captain Clarke Road, Broadway Industrial Estate, Hyde Hyde, Cheshire SK14 4QG. Tel: 0161 351 9990. Fax: 0161 351 9992. Email: sales@rainwatergoods.co.uk

**Material:** Aluminium sheet to EN 485/515/573: Designation NS3, Condition H14, supplied by BS EN ISO 9002 registered stockist to ensure traceability.

**Size:** Fascia depth as required:  
Typical characteristics of 230mm

**Gauge:** Fascia: 1.5mm to 2mm as required

**Finish:** Polyester powder coated or mill finish

**Colour:** Polyester powder coated colour to a standard RAL, BS 4800 or 481 C range by Akzo Nobel, applied by Service First, ISO 9001, approved applicator.

**Accessories:** Polyester powder coated joint straps, stop ends, internal and external corners. Fixings recommended for the purpose and supplied by JWD Rainwater Systems Ltd.

**Method of jointing:** Product is jointed by internal butt straps with a 2/3mm expansion gap between each length.

**Method of fixing:** Supports: Architectural drill screw into steelwork or timber.

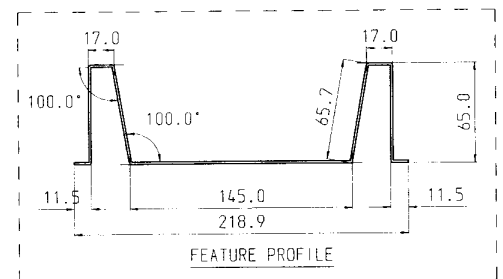
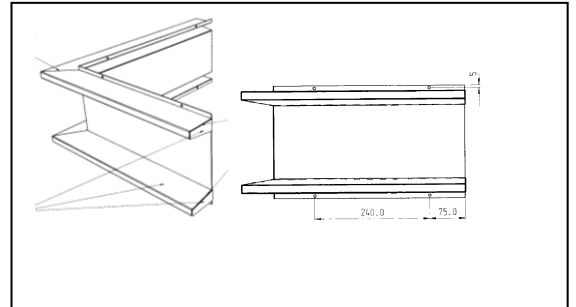


Illustration shows cross section of a typical size Girderline channel.

